

ANOUR 



HANDCRAFTED IN DENMARK

ANOUR 

Handcrafted Contemporary Lighting



Our Story

The purpose and ambition of Anour is to re-introduce the value of simplicity by creating honest design with real materials and ultimately make products of the highest quality, functionality, and aesthetic that is designed and built to last.

Honesty is our design philosophy. Nothing is hidden. What you see is what you get. We celebrate the true nature of each material, its unique characteristics, and its raw imperfections. Honest design is creating products that are just as practical and sustainable as they are aesthetic and beautiful.

Real materials are strong, flawed, and unique—the core and foundation of our business. Working with real materials is a balance between endless opportunities and physical limitations, making it both challenging and exciting throughout the design, engineering, and manufacturing processes.

In today's fast-paced world, artificial materials in products have become the norm, making products made from real materials increasingly rare and treasured. Having the patience, curiosity, and grit to work with real materials is rewarded by an honest, raw, and authentic process that leads to the highest quality product and design.

Our lamps are built to last by nature and design using each material to its full capacity and potential. Reintroducing the value of simplicity obligates us to design lamps that are easy to repair, maintain, and up-cycle.

Anour lamps are family heirlooms designed to be passed down through generations. Our lamps serve not only a functional purpose but has become symbols of heritage and legacy in the homes of our beloved Anour customers and partners.

In a world that often values more and louder, Anour stands for simplicity and subtlety. Anour lamps are designed to add a quiet yet powerful touch to any room.

Handmade in Denmark, each Anour lamp is a mark of customized craftsmanship individually tailored to serve the needs of your home.

Spotting an Anour lamp is the thrill of knowing what to look for.

If you know, you know.







“Ultimately,
I aspire to achieve
perfection in my work.
Despite my experience
as a manufacturer,
architect and designer,
I am constantly exploring
new ways to refine and
elevate our products and
processes. Like most of
the great designers of the
past, I find pleasure in
refining the details of
the product, so the joints
become the ornaments
of the design”

- Arash Nourinejad, Architect & Founder of ANOUR



I-MODEL Aura

THE NEXT GENERATION OF I-MODEL

The I-MODEL Aura is the first lamp of this category to combine two LED light sources in one fixture: down-facing work-light is complemented by the new source of ambient-light at the top. Designed with kitchen islands or higher workspaces in mind, with the I-MODEL Aura there is no need for ceiling spots or other types of additional lighting.





I-MODEL Wall

The I-MODEL Wall Mount is a pioneering lamp designed for modern interiors, featuring a sleek silhouette and customizable metal finishes. This lamp embodies the iconic minimalistic design of ANOUR, tailored for wall mounting, providing both functionality and aesthetic appeal.





Donya Pivot

NEW ADDITION TO DONYA FAMILY

Donya Pivot is a ceiling/wall lamp that features a rotating head, offering flexibility and dynamic lighting options. This lamp combines the minimalist design ethos of the DONYA series with practical adjustability, making it suitable for various spaces, from living rooms to hallways. The rotating head allows users to direct light precisely where it is needed, enhancing both functionality and aesthetics.

This expansion reflects ANOUR's dedication to evolving their lighting universe, providing infinite combinations and customization options for discerning customers



Divar 2.0

**AS EXCELLENT AS THE ORIGINAL,
NOW MORE SUSTAINABLE**

The DIVAR 2.0 lamp is a modern lighting solution that integrates seamlessly with contemporary interiors. It offers advanced lighting technology for optimal illumination, ensuring a blend of functionality and aesthetic appeal. Available in various finishes, the DIVAR 2.0 provides a perfect balance of style and performance.

Mounted Lighting

Elegant lighting solution designed for tables to provide the right amount of light while retaining an elegant appearance.

Mounted models complement the I-MODEL pendants and T-MODEL table lamps, adding functional variety while retaining balance that permeates the collection.

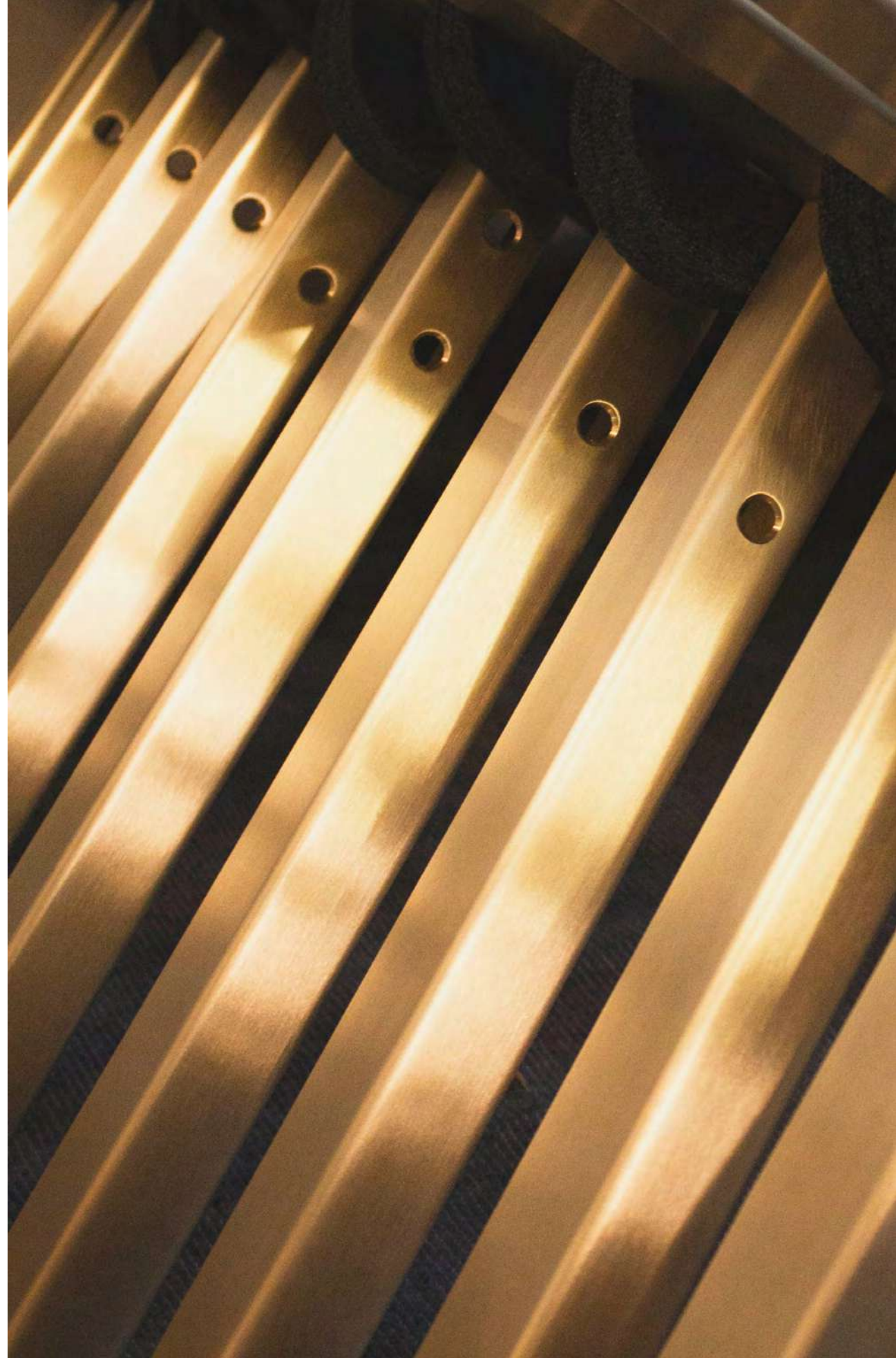




Pendants

I-Model. The Original Cordless Pendant Lamp.

Born in
2012.





I-MODEL CORDLESS

I-MODEL Cordless pendant spreads good light without interfering with the view. The minimal elegant design and a variety of available surfaces, makes it a perfect choice over a kitchen island.

Depending on your ceiling type, the I-MODEL Cordless can be installed with or without the visible driver.

I-MODEL CORD

Born out of a functional need to utilise the materials that were simply too good to be thrown away. The very first I-MODEL, was made by mindful design, appreciation for quality and innovative nature of Arash Nourinejad, architect and founder of ANOUR.

Under the surface, I-MODEL conceals a dimension involving the best LED technology, impeccable structure - and craft. Each lamp is assembled by hand, with every element fine tuned - approaching the precision of high jewellery.

The cord is available in four classic colours to compliment the variety of surfaces.

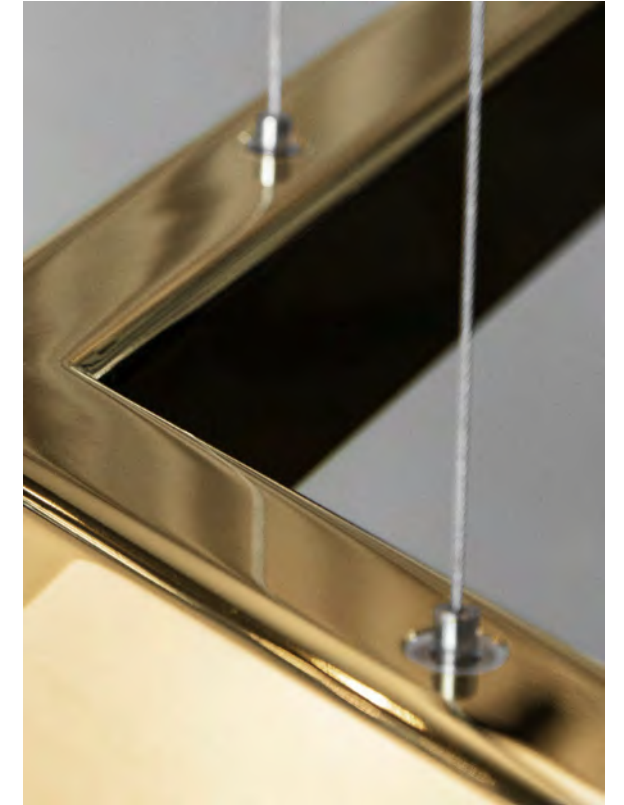


I-MODEL AURA

Since the first introduction, a continuous drive to experiment and curiosity that is embedded in the ANOUR's DNA has taken the original I-MODEL design even further, creating a new version of the lamp that is beyond perfection: the I-MODEL Aura.

Designed with kitchen islands or higher workspaces in mind, with the I-MODEL Aura there is no need for ceiling spots or other types of additional lighting. The new I-MODEL Aura provides dual functionality, with less installation, less clutter – and a greater visual impact of a clean and elegant space aesthetics.





Y-MODEL

Functional as well as beautiful, Y-MODEL is a pendant lamp that brings character to a room whether it is a dining area, workspace or a living room. Simple and elegant in its form, the lamp is fitted with an integrated touch sensitive dimmer button to control the light.

Available in copper or brass with seven unique surface treatments that will suit your personal style.



X-MODEL

Pendant lamp with a simple yet contemporary look. The strong and almost sculptural presence of the X-MODEL makes it a perfect choice when creating a focal point in your home.

The lamp is fitted with an integrated touch sensitive dimmer button to control the light. X-MODEL lamp is available in copper or brass with seven unique surfaces to choose from.



G-MODEL

The luminaire provides a fully rotational and adjustable feature, enabling total flexibility when directing the light.

An ideal way to highlight any artworks or pictures on a wall.





DONYA PENDANT

Minimal pendant lamp emitting downward light and illuminating the surfaces with its glare-free glow. The surfaces of the lamp, as well as the reflector have an elegant yet decidedly industrial feel, making it a perfect choice for dining areas, living rooms as well as modern lighting in larger hallways.

DONYA PENDANT can be displayed alone or in a group creating an architecturally striking statement.



DONYA SPHERE

Elegant and subtle, characterised by a white opal glass shade and a base crafted from copper, steel or brass. Available in a variety of surfaces developed by craftsmen at the ANOUR workshop.

It can be displayed alone or in groups to highlight room's architectural features or decor, while making a striking statement. DONYA is available as a spot, pendant, table and a wall lamp.



Donya Onyx

A brand new introduction of shades crafted from the precious Onyx stones is uplifting and unique. Polished to perfection into four minimal shapes: Moon, Trapeze, Solar and Cylinder, the new Onyx shades are ultra-modern yet delightfully subtle.

“The depth of the Onyx stones is mesmerising. It makes you feel enchanted. Lamp crafted from the material as beautiful and valuable as Onyx undeniably becomes a feature piece.”

- Arash Nourinejad, Architect & Founder of ANOUR





Wall Lamps

PAPILIO

Designed by Copenhagen based OEO Studio, in close collaboration with Arash Nourinejad, for Hotel Kong Arthur in central Copenhagen.

Discreet and atmospheric, Papilio is a simple and sophisticated wall lamp that takes up little space and can provide a decorative flourish to any interior. The light has an abstract, poetic shape loosely inspired by the butterfly. It can be used as bedside lamps, in a hotel lobby or simply as a wall light.



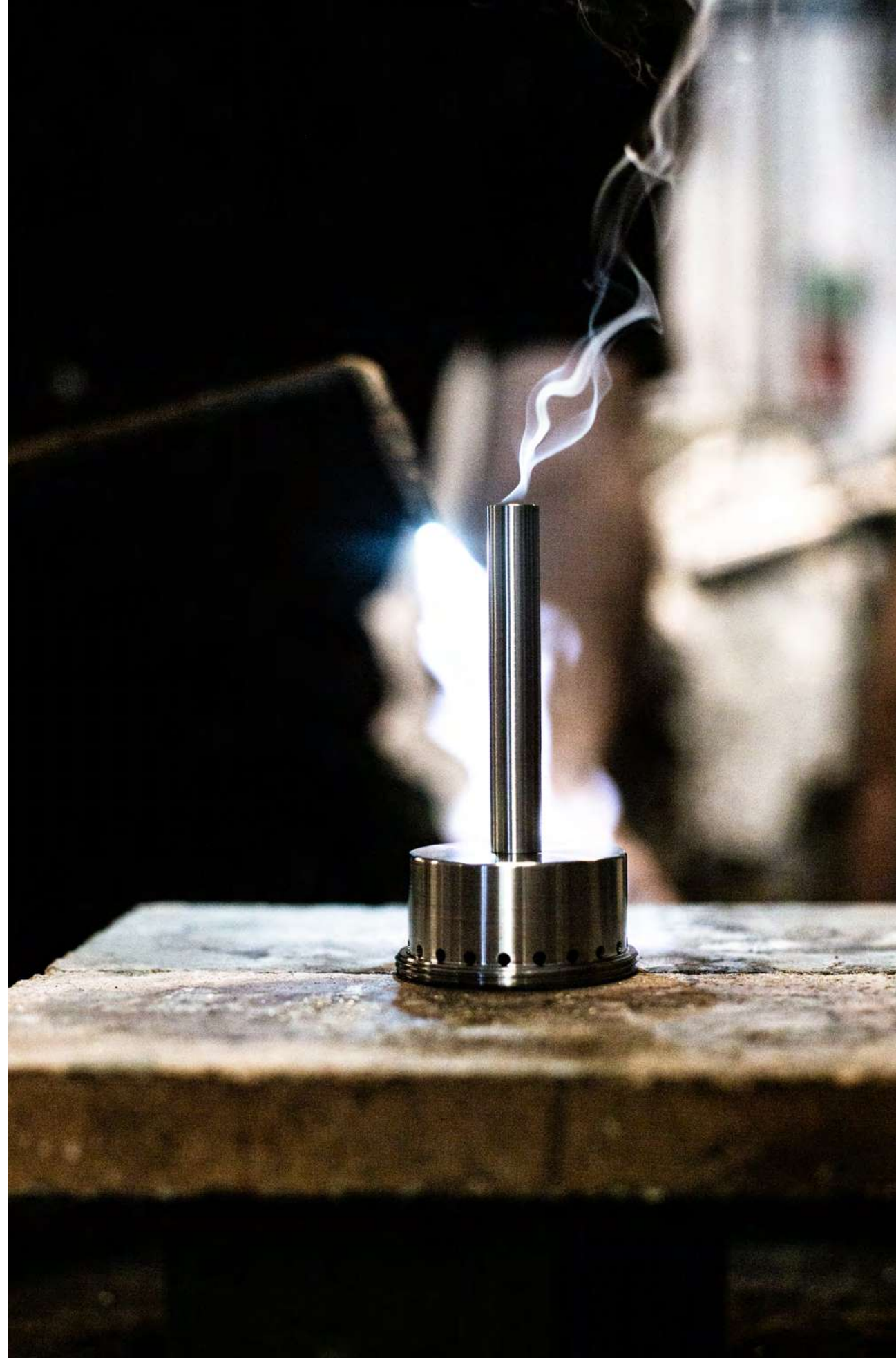


DIVAR

Wall lamp that illuminates the space with atmospheric beauty - blending sleek design and functionality. The sculptural expression and the lamp's flexible design let you adjust the angle of the light to its perfect position. DIVAR hangs comfortably on its own or in pairs, providing glare-free adjustable backlight to living spaces, bedrooms or hallway areas.



Sometimes,
The Surfaces
Are Rebellious
And Must Be
Developed
With Patience
& Precision





DONYA SPHERE

DONYA SPHERE Wall Lamp offers an ambient and soft light, with charm and uniqueness. Characterised by a white opal glass shade and a base crafted from copper, steel or brass in a variety of surfaces developed by craftsmen at the ANOUR workshop.

DONYA is available as a spot, pendant, table and a wall lamp.





Table Lamps

T-MODEL

Minimalistic and contemporary reinterpretation of a classic desk lamp embodied in a modern look that feels at home in any setting. Whether placed as a focal point in the bedroom, dining room or in the office, the elegant expression of T-MODEL makes every space feel more unique and inviting.





DONYA SPHERE

DONYA SPHERE series offers an ambient and soft light, with charm and uniqueness. Characterised by a white opal glass shade and a base crafted from copper, steel or brass, available in a variety of surfaces developed by craftsmen at the ANOUR workshop. Contrasting against the base, Black Textile Cord compliments design's contemporary form.

DONYA is available as a spot, pendant, table and a wall lamp.



Floor Lamps



F-MODEL

Elegant design and puristic nature of the award-winning F-MODEL lamp features a slender vertical silhouette that skilfully plays with proportions and cleverly uses the best LED technology. With its elegant yet reduced to necessity visual expression of the base with a tall pivoting light screen, the F-MODEL is a study of geometry and a lamp that complements every style.





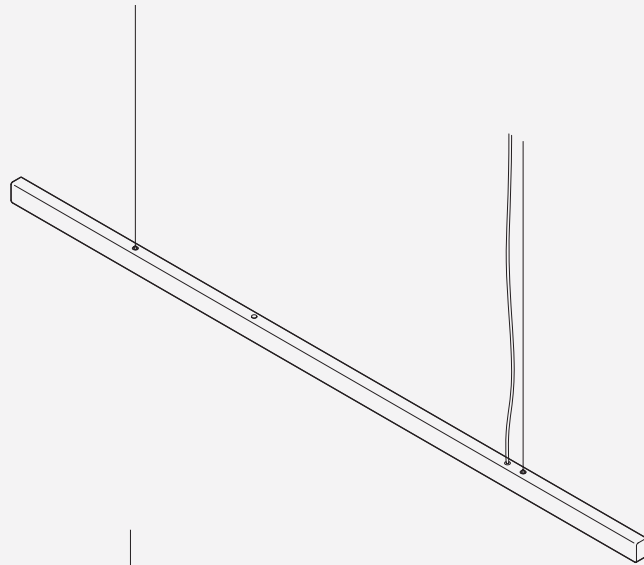


Product Specifications

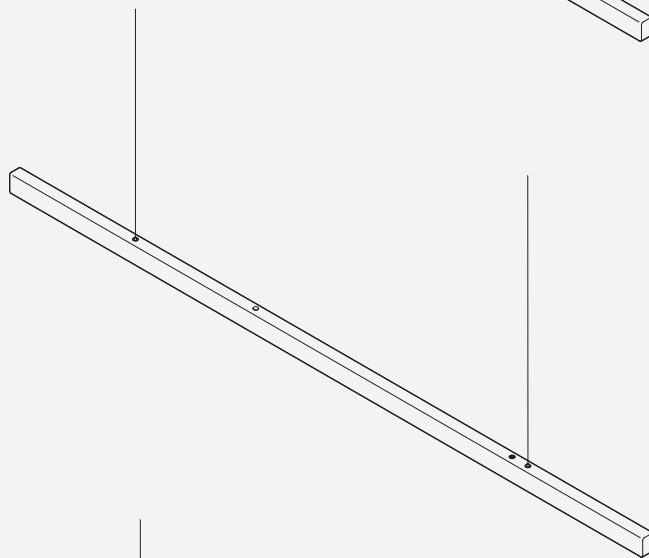
I-MODEL FAMILY

PENDANTS

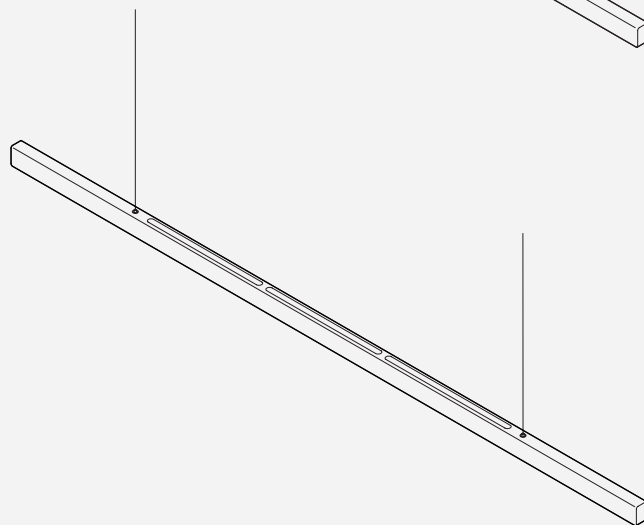
CORD



CORDLESS

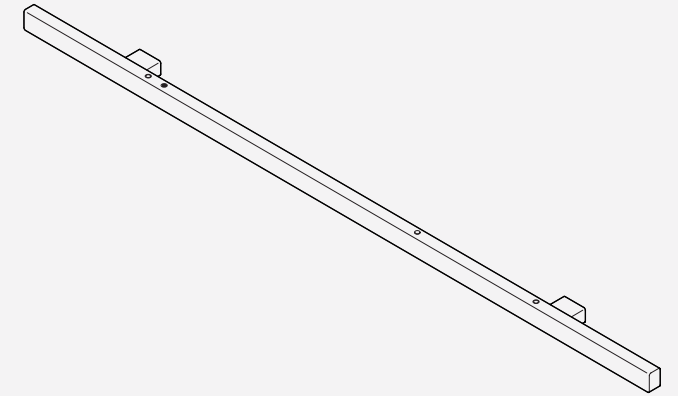


AURA

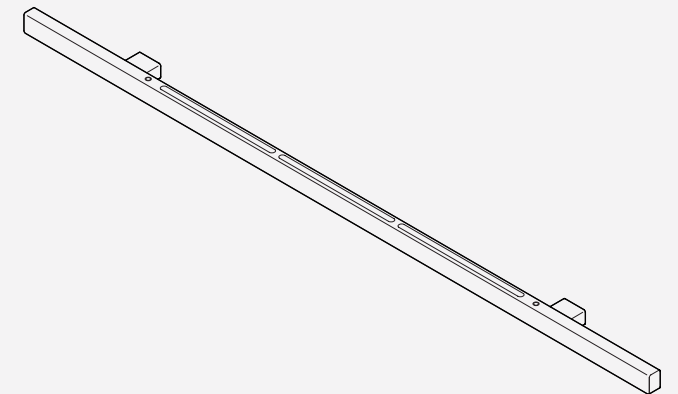


WALL / TABLE MOUNT

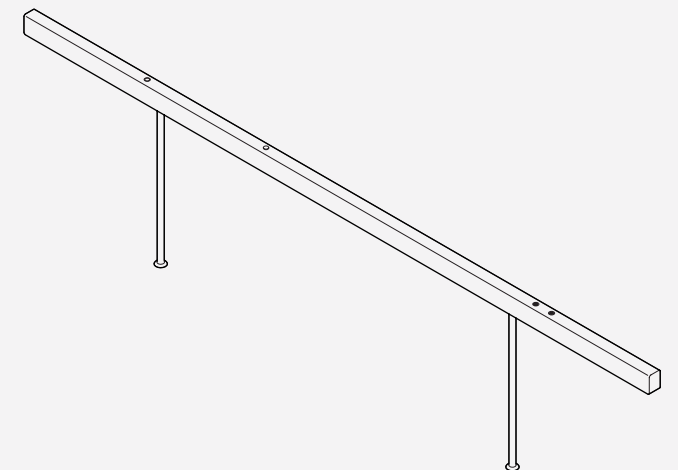
WALL MOUNT



*WALL MOUNT AURA



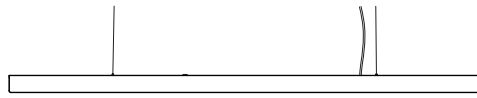
*TABLE MOUNT



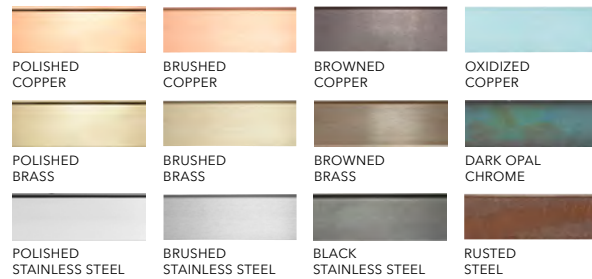
*On request

I-MODEL

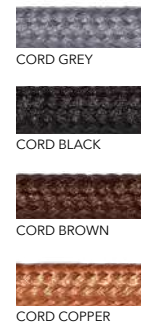
CORD



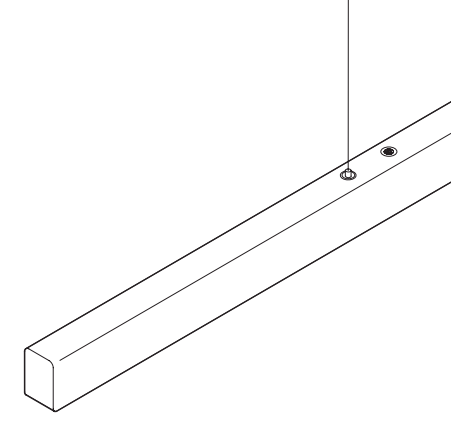
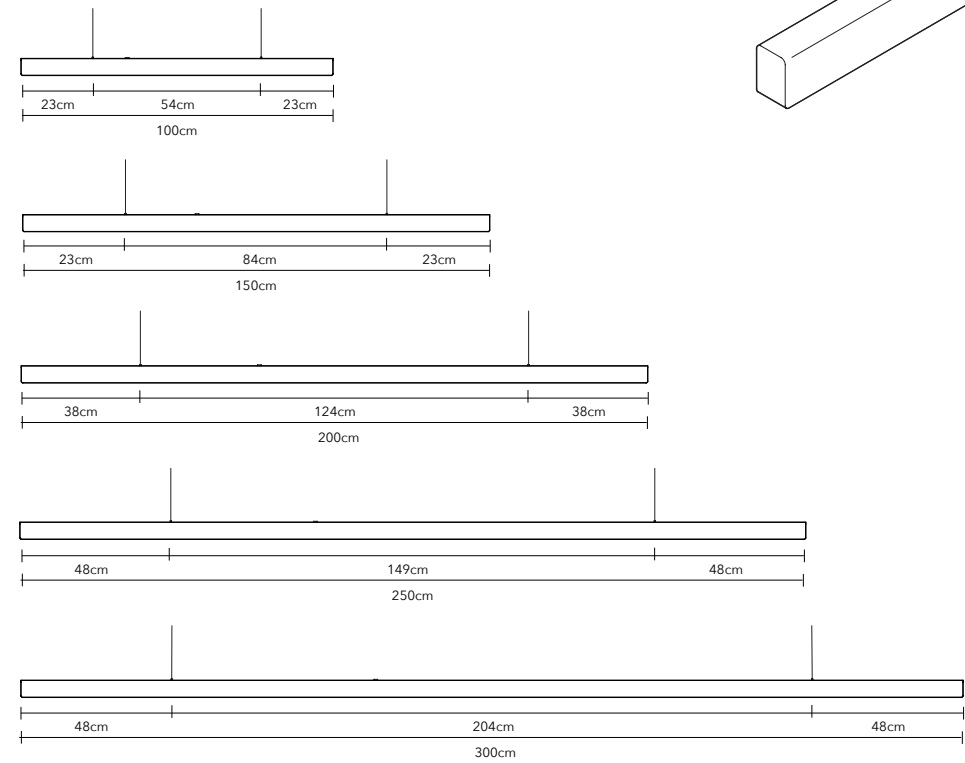
MATERIALS & FINISHES



CORD COLOUR



DIMENSIONS



SPECIFICATIONS

SIZE	LED	WEIGHT*	PACKAGE WEIGHT*	SUSPENSION	CORD	VOLT	WATT	LUMENS	COLOUR T°	CRI	LIFE HOURS	CERTIFICATIONS
100 cm	LED	3,3 kg	4,5 kg	3 m	3 m	120V 240V	30W	2130	2700	+93	50 000	CE (230V)
150 cm	LED	5 kg	6 kg	3 m	3 m	120V 240V	30W	2130	2700	+93	50 000	CE (230V)
200 cm	LED	6,5 kg	8 kg	3 m	3 m	120V 240V	40W	2840	2700	+93	50 000	CE (230V)
250 cm	LED	8 kg	10 kg	3 m	3 m	120V 240V	50W	3550	2700	+93	50 000	CE (230V)
300 cm	LED	10 kg	12 kg	3 m	3 m	120V 240V	60W	4260	2700	+93	50 000	CE (230V)

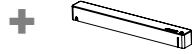
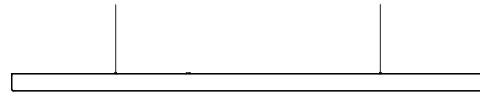
*Approximate values
*Special sizes on request

DIMMER COMPATIBILITY
Touch dimmer on the lamp, TRIAC, Casambi Dimming, DALI Dimming, PUSH-DIM, 1 - 10 Volt Dimming

LEAD TIME
8-10 Weeks

I-MODEL

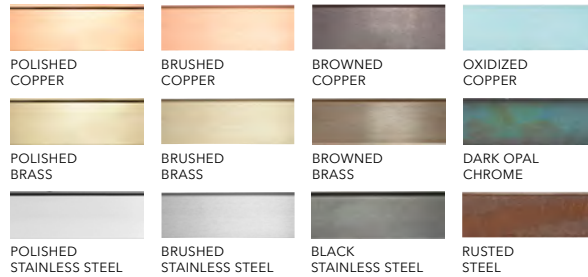
CORDLESS



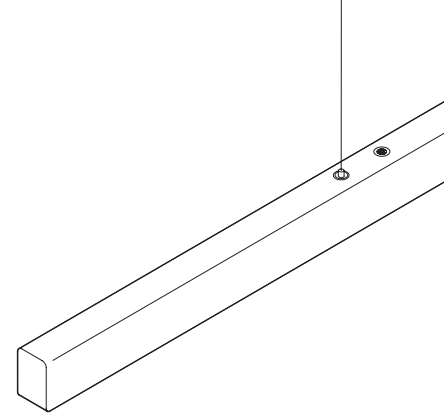
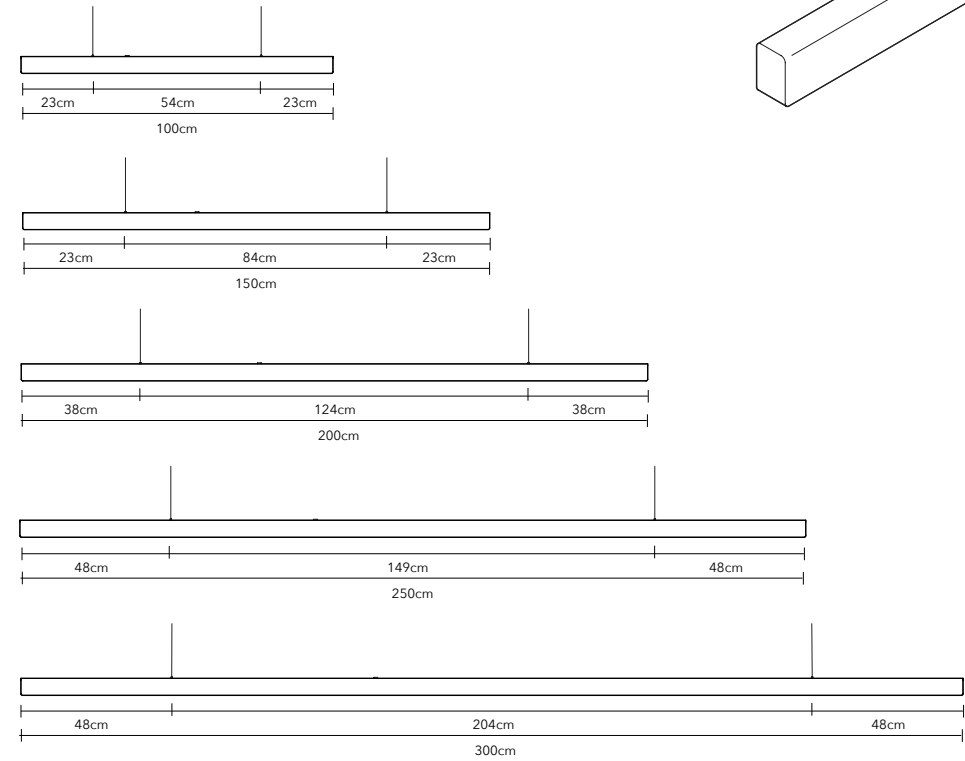
White driver box: 340 x 36,5 x 31 mm

Please mention if the DROPPED CEILING installation is required

MATERIALS & FINISHES



DIMENSIONS



SPECIFICATIONS

SIZE	LED	WEIGHT*	PACKAGE WEIGHT*	SUSPENSION	VOLT	WATT	LUMENS	COLOUR T°	CRI	LIFE HOURS	CERTIFICATIONS
100 cm	LED	3,3 kg	4,5 kg	8 m	120V 240V	30W	2130	2700	+93	50 000	CE (230V)
150 cm	LED	5 kg	6 kg	8 m	120V 240V	30W	2130	2700	+93	50 000	CE (230V)
200 cm	LED	6,5 kg	8 kg	8 m	120V 240V	40W	2840	2700	+93	50 000	CE (230V)
250 cm	LED	8 kg	10 kg	8 m	120V 240V	50W	3550	2700	+93	50 000	CE (230V)
300 cm	LED	10 kg	12 kg	8 m	120V 240V	60W	4260	2700	+93	50 000	CE (230V)

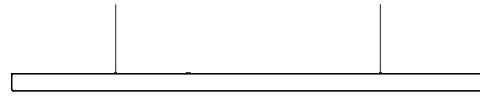
*Approximate values
*Special sizes on request

DIMMER COMPATIBILITY
Touch dimmer on the lamp, TRIAC, Casambi Dimming, DALI Dimming, PUSH-DIM, 1 - 10 Volt Dimming

LEAD TIME
8-10 Weeks

I-MODEL

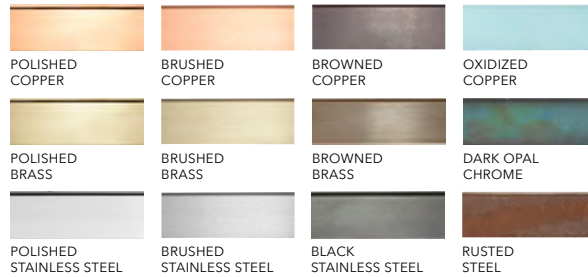
AURA



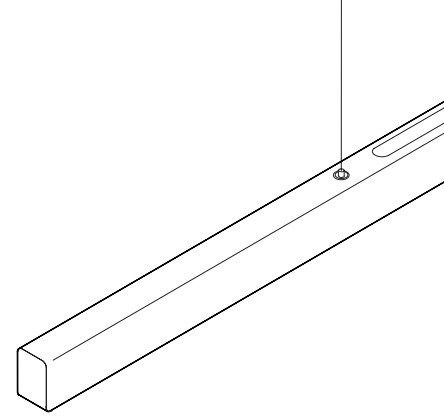
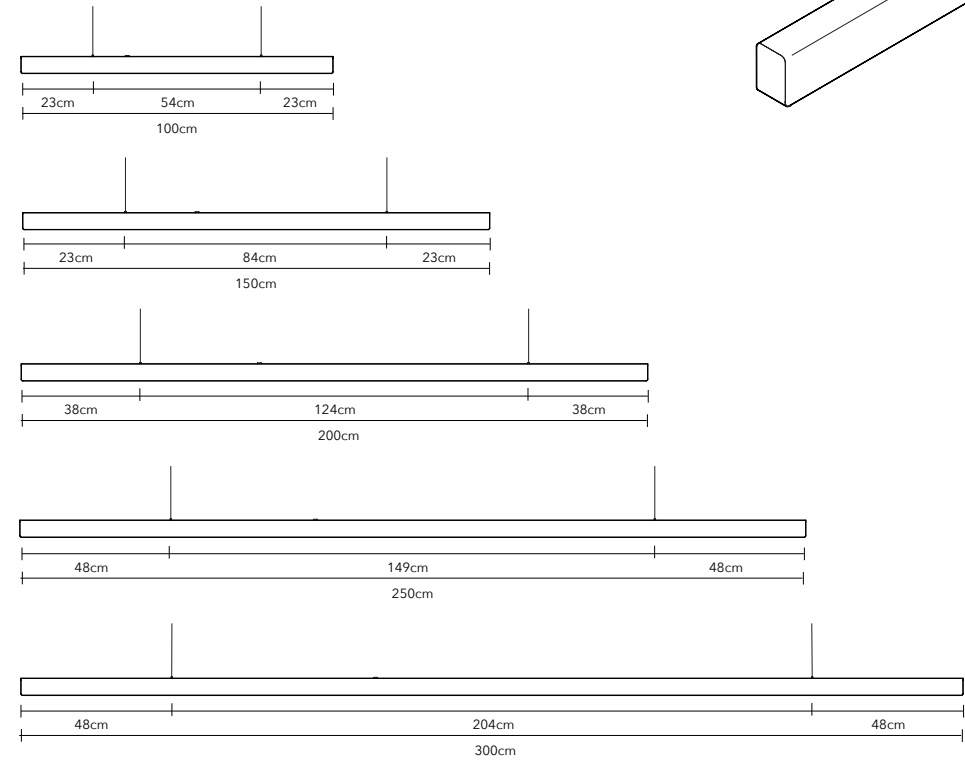
White driver box: 340 x 36,5 x 31 mm

Please mention if the DROPPED CEILING installation is required

MATERIALS & FINISHES



DIMENSIONS



SPECIFICATIONS

SIZE	LED	WEIGHT*	PACKAGE WEIGHT*	SUSPENSION	VOLT	WATT	LUMENS	COLOUR T°	CRI	LIFE HOURS	CERTIFICATIONS
100 cm	LED	3,6 kg	4,8 kg	8 m	120V 240V	45W	Down 2130 Up 850	2700	+93	50 000	CE (230V)
150 cm	LED	5,4 kg	6,4 kg	8 m	120V 240V	60W	Down 2130 Up 1150	2700	+93	50 000	CE (230V)
200 cm	LED	7 kg	8,5 kg	8 m	120V 240V	70W	Down 2840 Up 1450	2700	+93	50 000	CE (230V)
250 cm	LED	8,7 kg	10,7 kg	8 m	120V 240V	80W	Down 3550 Up 1750	2700	+93	50 000	CE (230V)
300 cm	LED	11 kg	13 kg	8 m	120V 240V	100W	Down 4260 Up 2130	2700	+93	50 000	CE (230V)

*Approximate values
*Special sizes on request

DIMMER COMPATIBILITY
External control and dimming only
Dimming fixed for up/down:
TRIAC, Dali, 1-10 Volt, PUSH DIM
Dimming variable for up/down: Casambi

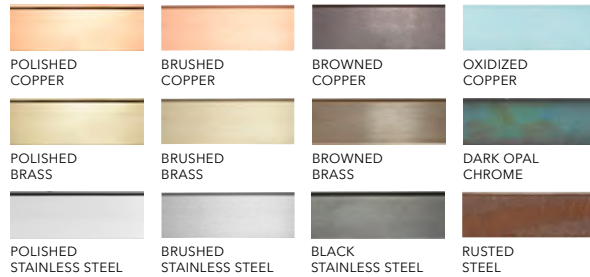
LEAD TIME
8-10 Weeks

I-MODEL

WALL



MATERIALS & FINISHES



SPECIFICATIONS

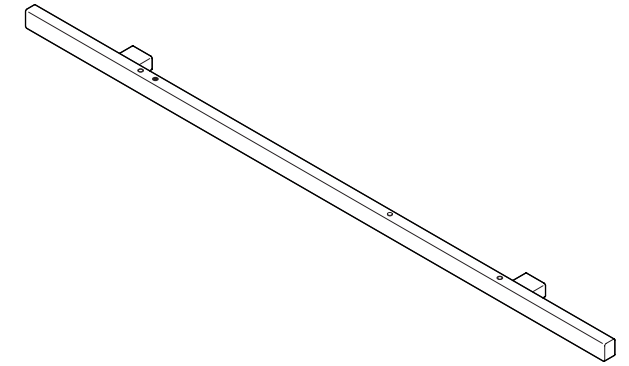
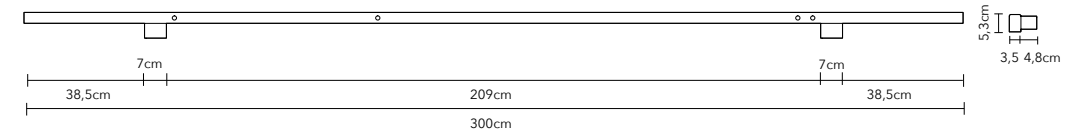
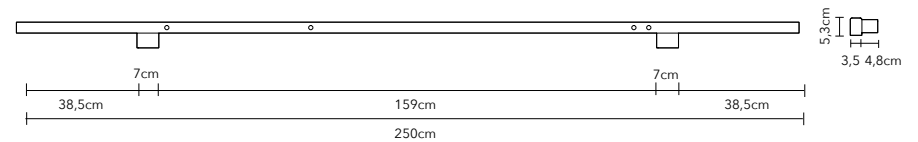
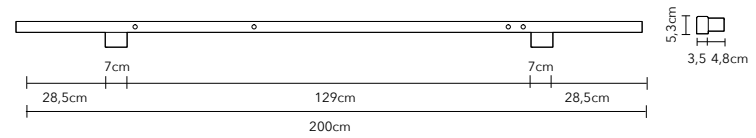
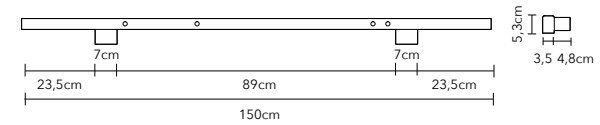
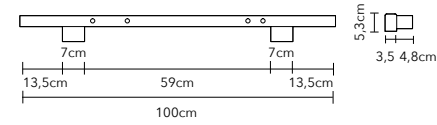
SIZE	LED	WEIGHT*	PACKAGE WEIGHT*	TEXTILE CORD (OPTIONAL)	VOLT	WATT	LUMENS	COLOUR T°	CRI	LIFE HOURS	CERTIFICATIONS
100 cm	LED	3,3 kg	4,5 kg	3 m	120V 240V	30W	2130	2700	+93	50 000	CE (230V)
150 cm	LED	5 kg	6 kg	3 m	120V 240V	30W	2130	2700	+93	50 000	CE (230V)
200 cm	LED	6,5 kg	8 kg	3 m	120V 240V	40W	2840	2700	+93	50 000	CE (230V)
250 cm	LED	8 kg	10 kg	3 m	120V 240V	50W	3550	2700	+93	50 000	CE (230V)
300 cm	LED	10 kg	12 kg	3 m	120V 240V	60W	4260	2700	+93	50 000	CE (230V)

*Approximate values
*Special sizes on request

DIMMER COMPATIBILITY
Touch dimmer on the lamp as standard. TRIAC, DALI, Casambi, 1-10V, PUSH DIM available on request

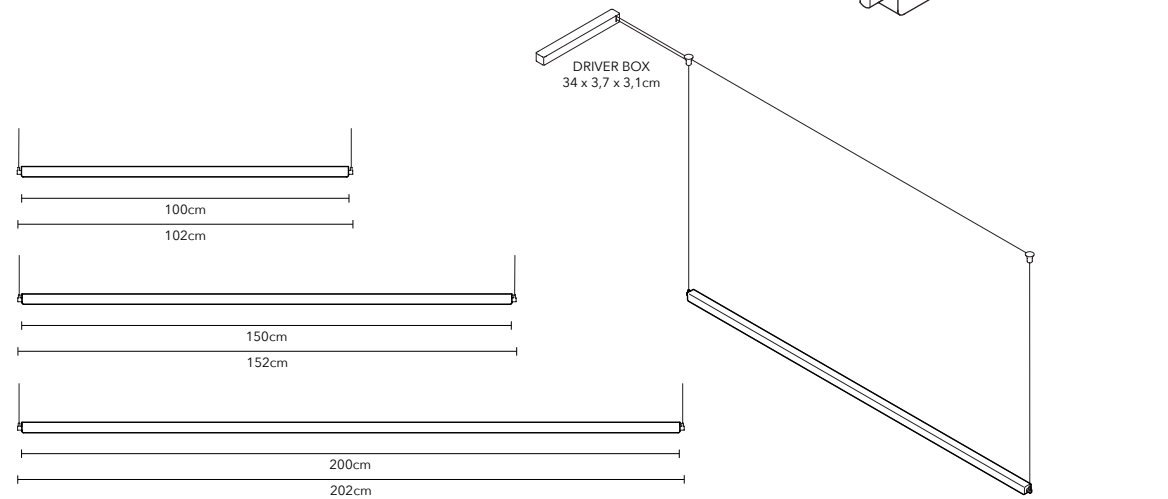
LEAD TIME
8-10 Weeks

DIMENSIONS



G-MODEL

DIMENSIONS



MATERIALS & FINISHES



BLACK
ALUMINIUM

Please mention if the DROPPED CEILING installation is required

SPECIFICATIONS

SIZE	LED	WEIGHT*	PACKAGE WEIGHT*	SUSPENSION	VOLT	WATT	LUMENS	COLOUR T°	CRI	LIFE HOURS	CERTIFICATIONS
100 cm	LED	2 kg	4,5 kg	8m	120V 240V	30W	2130	2700	+93	50 000	CE (230V)
150 cm	LED	2,8 kg	6 kg	8m	120V 240V	30W	2130	2700	+93	50 000	CE (230V)
200 cm	LED	3,5 kg	7 kg	8m	120V 240V	40W	2840	2700	+93	50 000	CE (230V)

*Approximate values
*Special sizes on request

DIMMER COMPATIBILITY

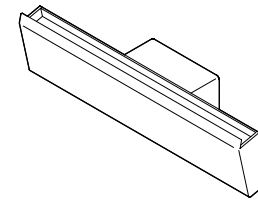
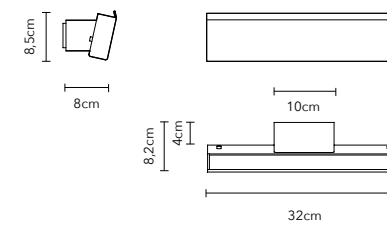
No dimming for standard lamp
(only on/off). TRIAC, DALI, Casambi,
1-10V, PUSH DIM available on request

LEAD TIME

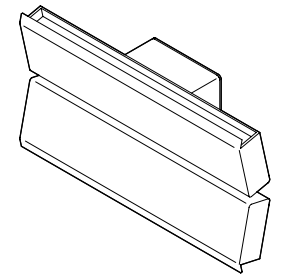
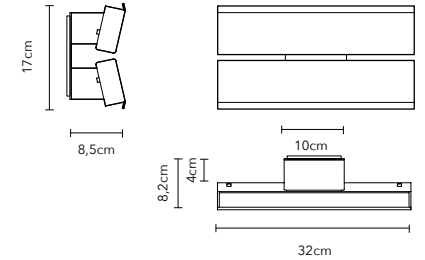
8-10 weeks

PAPILIO

SINGLE



DOUBLE



MATERIALS & FINISHES



BRUSHED
BRASS

BROWNE D
BRASS

DARK OPAL
CHROME

SPECIFICATIONS

	SIZE	LED	WEIGHT*	PACKAGE WEIGHT*	VOLT	WATT	LUMENS	COLOUR T°	CRI	LIFE HOURS	CERTIFICATIONS
SINGLE	32x8,5	LED	1,5 kg	2 kg	120V 240V	6W	400	2700	+93	50 000	CE (230V)
DOUBLE	32x17	LED	3kg	3,5 kg	120V 240V	12W	800	2700	+93	50 000	CE (230V)

*Approximate values
*Special sizes on request

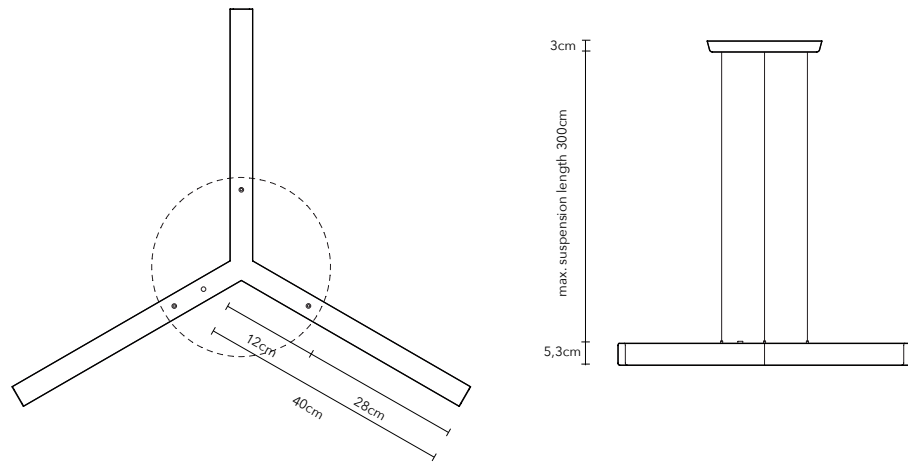
DIMMER COMPATIBILITY

External control and dimming only
TRIAC (Trailing edge dimming)

LEAD TIME

8-10 weeks

Y-MODEL



MATERIALS & FINISHES



SPECIFICATIONS

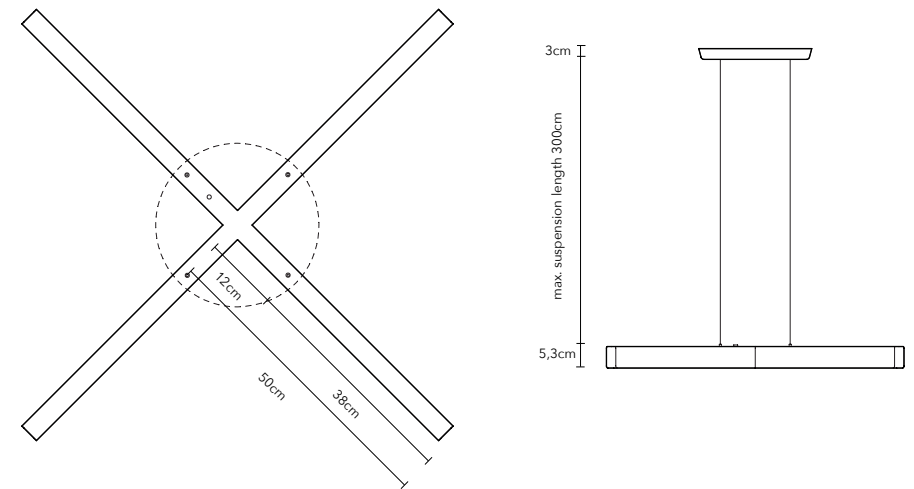
SIZE	LED	WEIGHT*	PACKAGE WEIGHT*	SUSPENSION	VOLT	WATT	LUMENS	COLOUR T°	CRI	LIFE HOURS	CERTIFICATIONS
Ø80 cm	LED	4,5 kg	7,5 kg	3m	120V 240V	31W	1490	2700	+93	50 000	CE (230V)

*Approximate values
*Special sizes on request

DIMMER COMPATIBILITY
Touch dimmer on the lamp as standard. TRIAC, DALI, Casambi, 1-10V, PUSH DIM available on request

LEAD TIME
8-10 weeks

X-MODEL



MATERIALS & FINISHES



SPECIFICATIONS

SIZE	LED	WEIGHT*	PACKAGE WEIGHT*	SUSPENSION	VOLT	WATT	LUMENS	COLOUR T°	CRI	LIFE HOURS	CERTIFICATIONS
Ø100 cm	LED	7,5 kg	10,5 kg	3m	120V 240V	40W	2640	2700	+93	50 000	CE (230V)

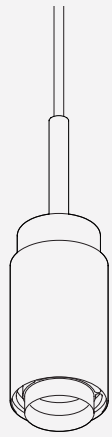
*Approximate values
*Special sizes on request

DIMMER COMPATIBILITY
Touch dimmer on the lamp as standard. TRIAC, DALI, Casambi, 1-10V, PUSH DIM available on request

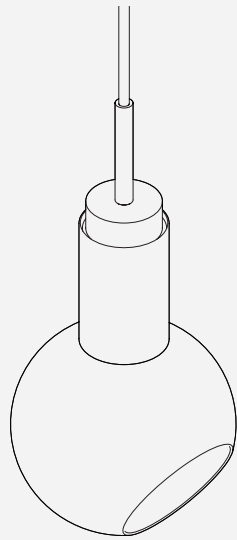
LEAD TIME
8-10 weeks

DONYA FAMILY

PENDANT



DONYA
PENDANT

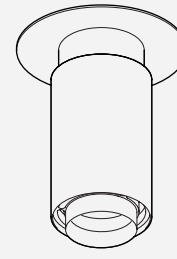


DONYA SPHERE
PENDANT

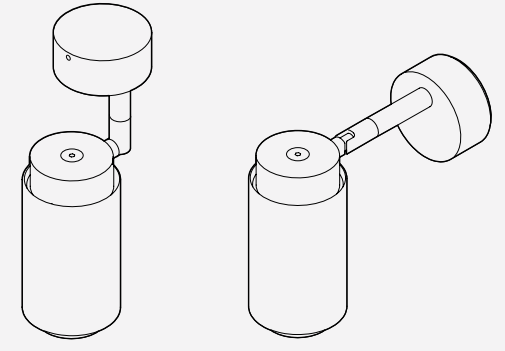


DONYA ONYX
CYLINDAR PENDANT

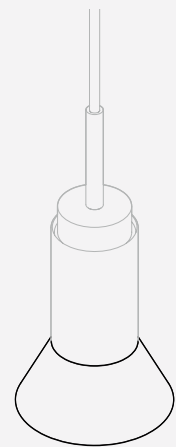
WALL / CEILING



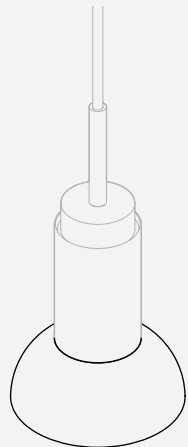
DONYA CEILING
SPOT



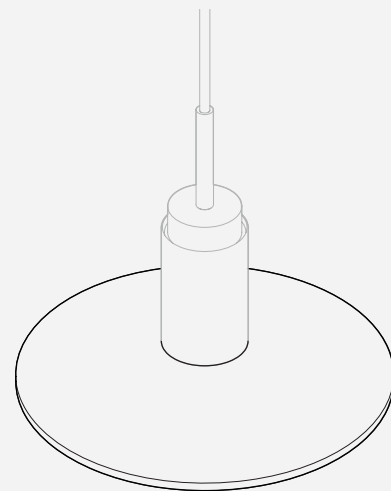
DONYA PIVOT
WALL / CEILING



DONYA ONYX
TRAPEZE PENDANT

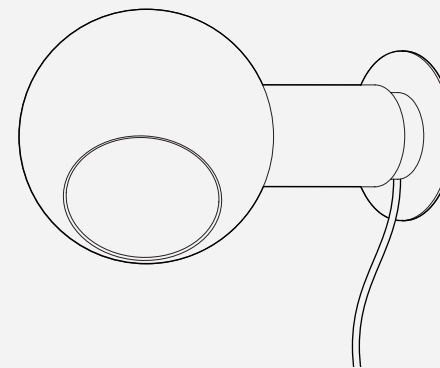


DONYA ONYX
MOON PENDANT

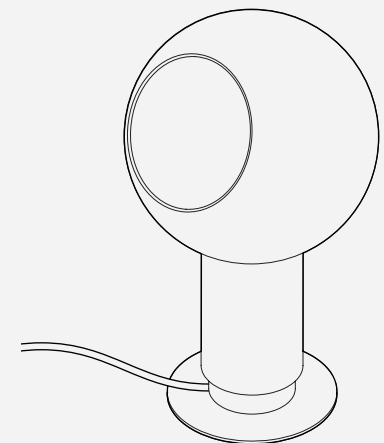


DONYA ONYX
SOLAR PENDANT

TABLE / WALL



DONYA SPHERE
WALL



DONYA SPHERE
TABLE

Each product from the family comes with a removable reflector and is compatible with all DONYA shades.

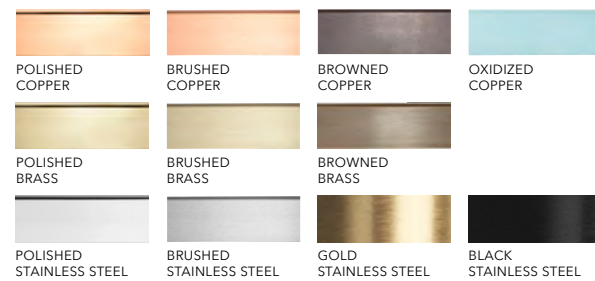
DONYA CEILING SPOT

DIMENSIONS



Can be mounted without the backplate. Each product comes with a removable reflector and is compatible with all DONYA shades.

MATERIALS & FINISHES



SPECIFICATIONS

	SIZE	LIGHT	WEIGHT*	PACKAGE WEIGHT*	CERTIFICATION	VOLT
CEILING LAMP	Ø6cm 12,8cm	GU10	2kg	2,5kg	CE (230V)	120 V 240 V

GU10 socket max 6 Watt
(bulb not included)

LEAD TIME
8-10 weeks

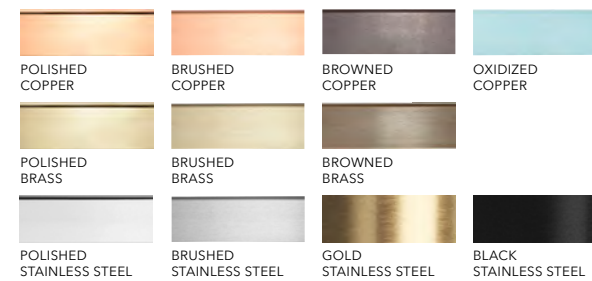
DONYA PENDANT

DIMENSIONS



All pendants come with a removable reflector.

MATERIALS & FINISHES



SPECIFICATIONS

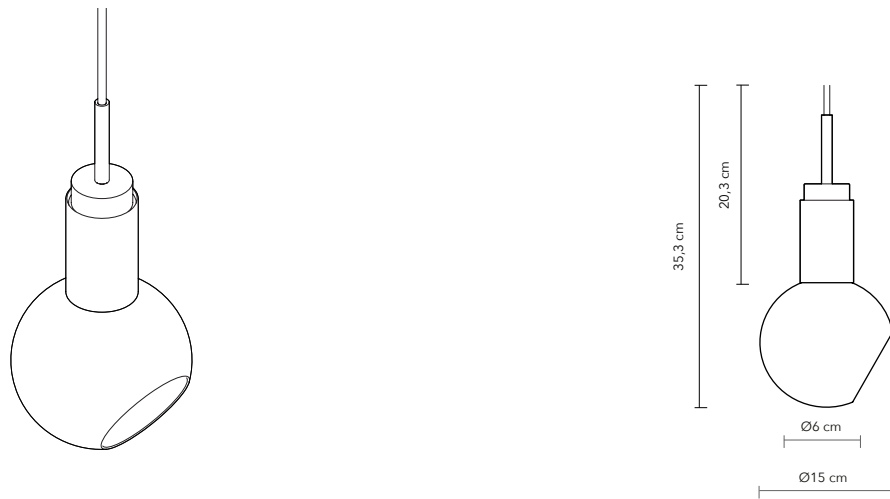
	SIZE	LIGHT	WEIGHT*	PACKAGE WEIGHT*	CORD	CERTIFICATION	VOLT
PENDANT	Ø6cm 20,3 cm	GU10	3,5 kg	4,0 kg	Black Textile Cord 3,2 m	CE (230V)	120 V 240 V

GU10 socket max 6 Watt
(bulb not included)

LEAD TIME
8-10 weeks

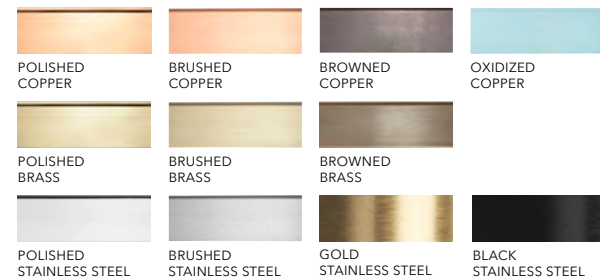
DONYA SPHERE PENDANT

DIMENSIONS



MATERIALS & FINISHES

BASE



SHADE



SPECIFICATIONS

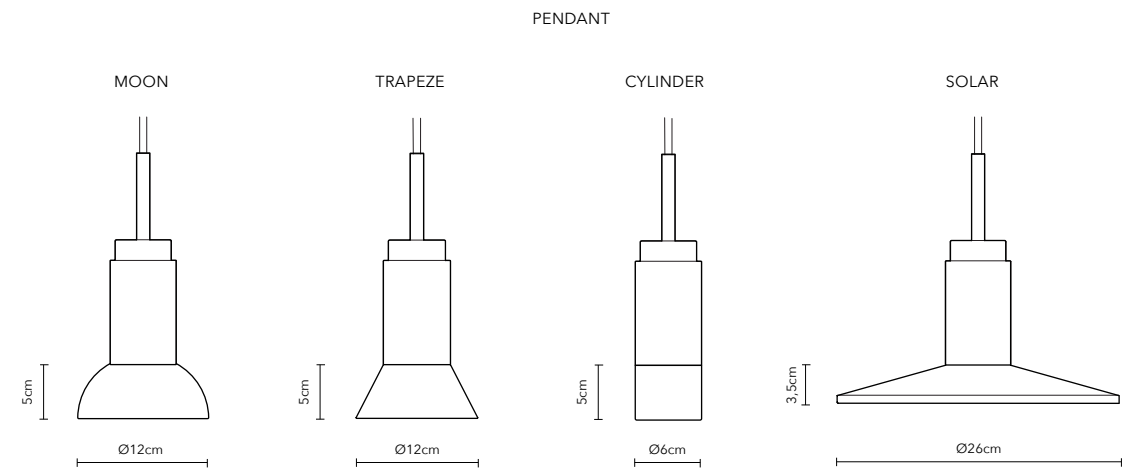
	SIZE	LIGHT	WEIGHT*	PACKAGE WEIGHT*	CORD	CERTIFICATION	VOLT
PENDANT	Ø15cm 34 cm	GU10	2,8 kg	3,2 kg	Black Textile Cord 3,2 m	CE (230V)	120 V 240 V

LEAD TIME
8-10 weeks

GU10 socket max 6 Watt (bulb not included)

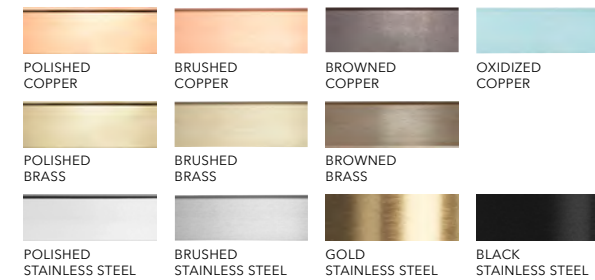
DONYA ONYX PENDANT

DIMENSIONS

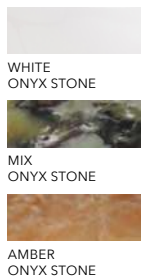


MATERIALS & FINISHES

BASE



SHADE



SPECIFICATIONS

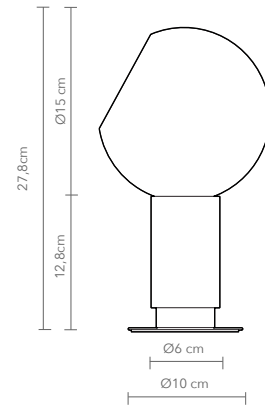
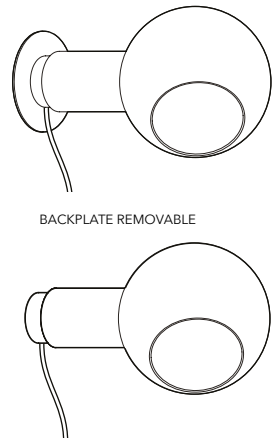
	SIZE	LIGHT	WEIGHT*	PACKAGE WEIGHT*	CORD	CERTIFICATION	VOLT
CYLINDER	Ø6cm 24,5 cm	GU10	3,5 kg	4,0 kg	Black Textile Cord 2 m	CE (230V)	120 V 240 V
TRAPEZE	Ø10,8 cm 24,5 cm	GU10	4,0 kg	4,5 kg	Black Textile Cord 2 m	CE (230V)	120 V 240 V
SOLAR	Ø26 cm 23 cm	GU10	4,5 kg	5,0 kg	Black Textile Cord 2 m	CE (230V)	120 V 240 V
MOON	Ø12cm 24,5 cm	GU10	4,0 kg	4,5 kg	Black Textile Cord 2 m	CE (230V)	120 V 240 V

LEAD TIME
8-10 weeks

GU10 socket max 6 Watt (bulb not included)

DONYA SPHERE WALL/TABLE

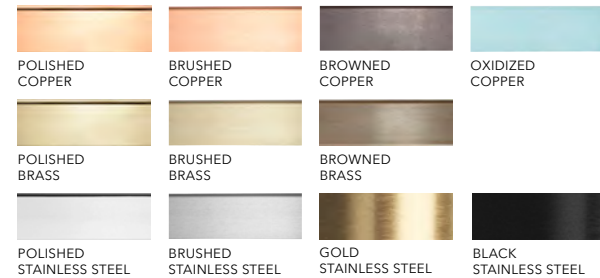
DIMENSIONS



Built-in wall solution available - please specify when ordering. The same product can be used as a table lamp, ceiling, or wall lamp. Each product comes with a removable reflector and is compatible with all DONYA shades.

MATERIALS & FINISHES

BASE



SHADE



SPECIFICATIONS

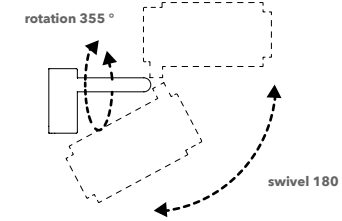
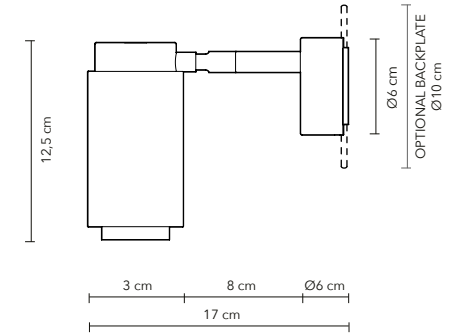
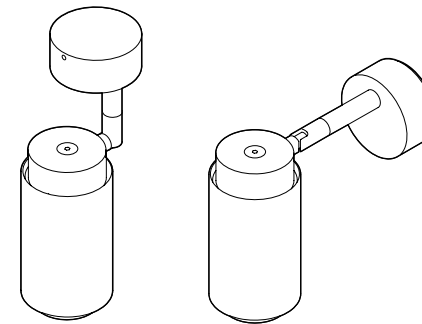
	SIZE	LIGHT	WEIGHT*	PACKAGE WEIGHT*	CORD	CERTIFICATION	VOLT
WALL / TABLE	Ø10 cm 27,8 cm	GU10	2 kg	2,5 kg	Black Textile Cord 3,2 m	CE (230V)	120 V 240 V

GU10 socket max 6 Watt (bulb not included)

LEAD TIME
8-10 weeks

DONYA PIVOT WALL/CEILING

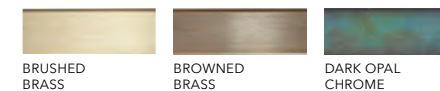
DIMENSIONS



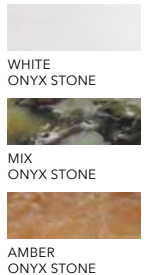
Same product can be used as a wall lamp or ceiling lamp. Each product comes with a removable reflector and is compatible with the CYLINDER DONYA shade.

MATERIALS & FINISHES

BASE



SHADE CYLINDER (OPTIONAL)



SPECIFICATIONS

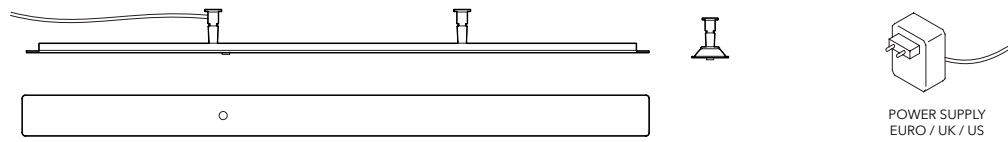
	SIZE	LIGHT	WEIGHT*	PACKAGE WEIGHT*	CORD (OPTIONAL)	CERTIFICATION	VOLT
WALL / CEILING	Ø6 cm 12,5 cm	GU10	2 kg	2,5 kg	Black Textile Cord 2 m	CE (230V)	120 V 240 V

GU10 socket max 6 Watt (bulb not included)

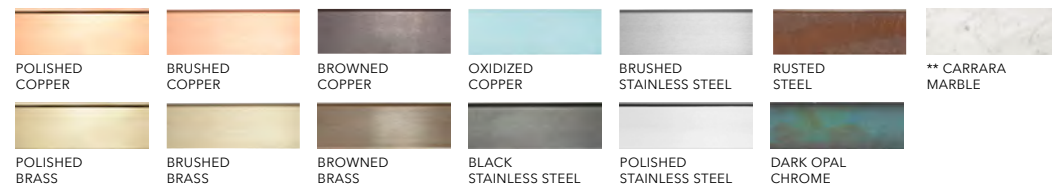
LEAD TIME
8-10 weeks

DIVAR

DIMENSIONS



MATERIALS & FINISHES



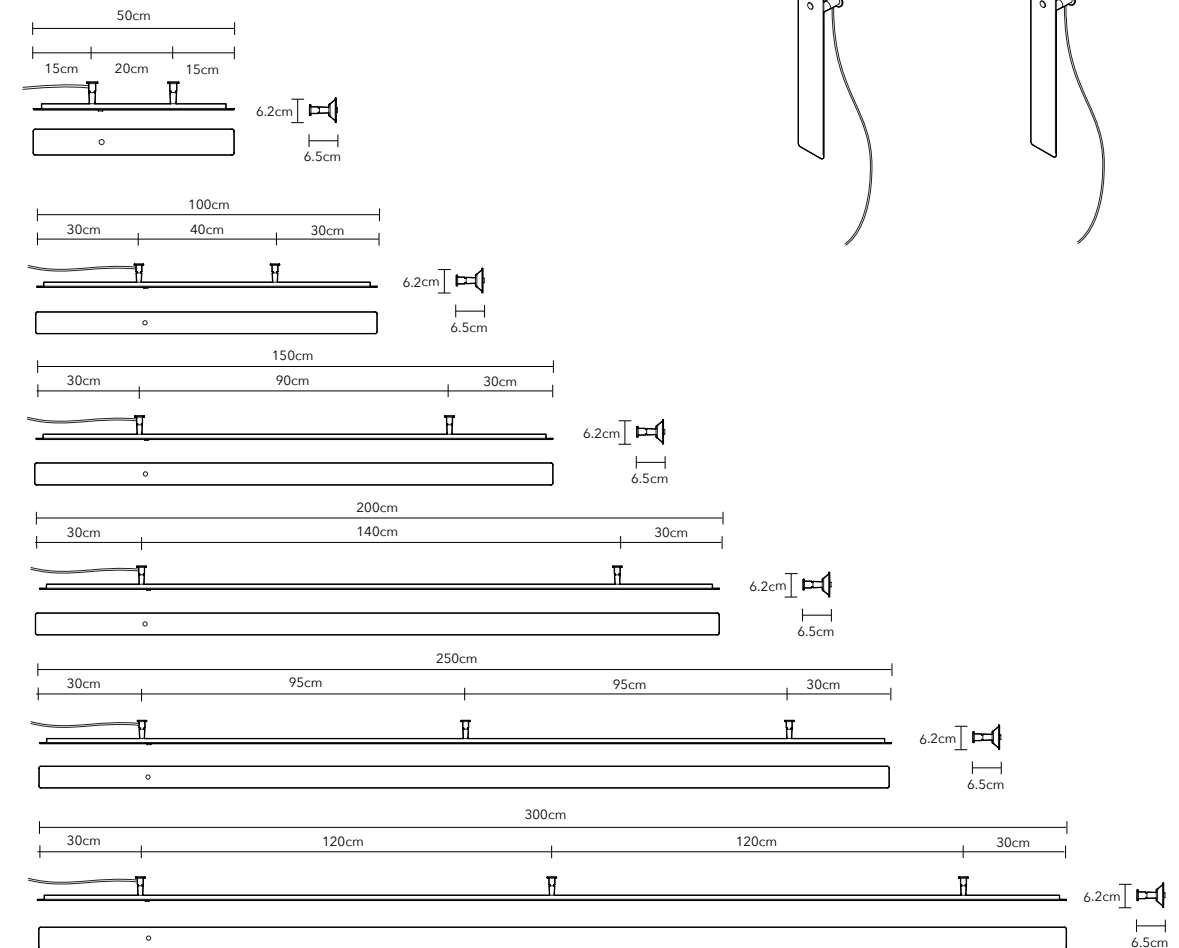
SPECIFICATIONS

SIZE	LED	WEIGHT*	PACKAGE WEIGHT*	CORD	VOLT	WATT	LUMENS	COLOUR T°	CRI	LIFE HOURS	CERTIFICATIONS
50 cm	LED	1,5 kg	2 kg	2,4m Black Cord	240V	10W	600	2700	+93	50 000	CE (230V)
100 cm	LED	2,2 kg	3,1 kg	2,4m Black Cord	240V	20W	1345	2700	+93	50 000	CE (230V)
150 cm	LED	3,3 kg	4,4 kg	2,4m Black Cord	240V	30W	2050	2700	+93	50 000	CE (230V)
200 cm	LED	4,2 kg	5,7 kg	2,4m Black Cord	240V	40W	2760	2700	+93	50 000	CE (230V)
250 cm	LED	5,2 kg	7,1 kg	2,4m Black Cord	240V	50W	3470	2700	+93	50 000	CE (230V)
300 cm	LED	6,2 kg	8,6 kg	2,4m Black Cord	240V	60W	4190	2700	+93	50 000	CE (230V)

*Approximate values
 *Special sizes on request
 ** Carrara Marble surface available for sizes 100cm and 150cm

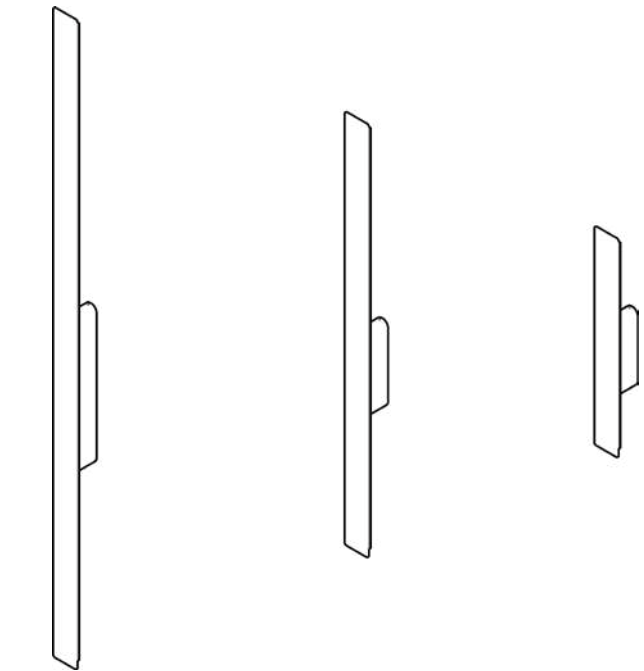
DIMMER COMPATIBILITY
 Touch dimmer on the lamp as standard. TRIAC / DALI / Casambi / 1-10V / PUSH DIM available on request (without the button on the lamp)

LEAD TIME
 8-10 weeks



DIVAR 2.0

DIMENSIONS

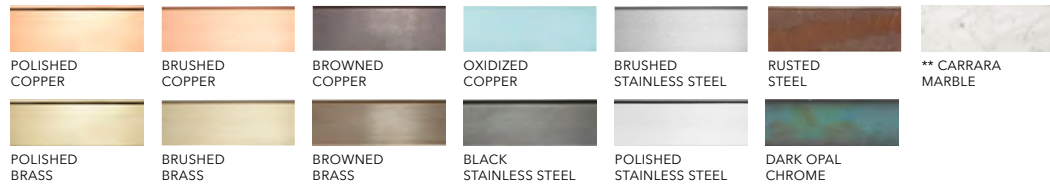


150 - 200 cm

100 cm

50 cm

MATERIALS & FINISHES



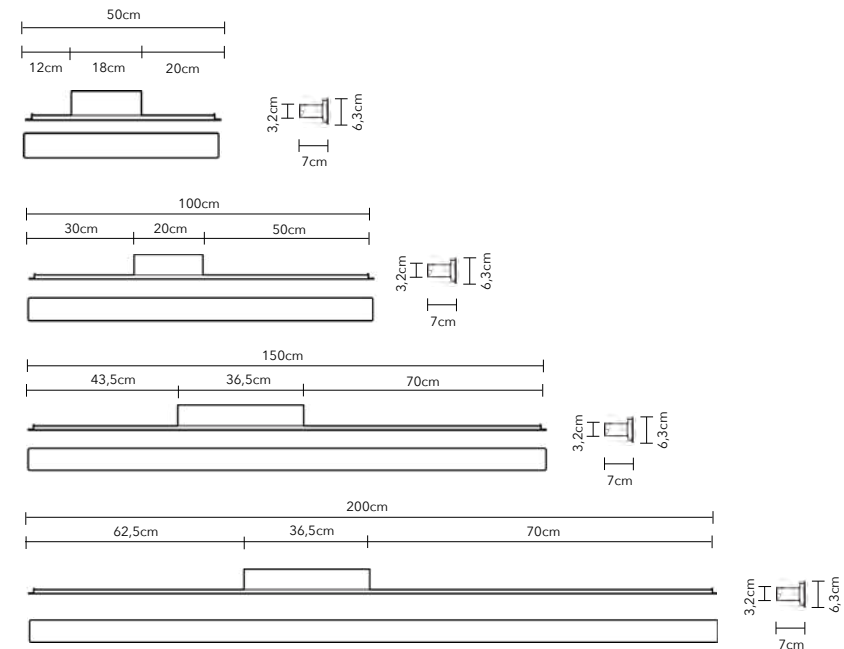
POLISHED COPPER BRUSHED COPPER BROWNE COPPER OXIDIZED COPPER BRUSHED STAINLESS STEEL RUSTED STEEL ** CARRARA MARBLE

POLISHED BRASS BRUSHED BRASS BROWNE BRASS BLACK STAINLESS STEEL POLISHED STAINLESS STEEL DARK OPAL CHROME

SPECIFICATIONS

SIZE	LED	WEIGHT*	PACKAGE WEIGHT*	CORD	VOLT	WATT	LUMENS	COLOUR T°	CRI	LIFE HOURS	CERTIFICATIONS
50 cm	LED	1,5 kg	2 kg	2,4m Black Cord	240V	10W	600	2700	+93	50 000	CE (230V)
100 cm	LED	2,2 kg	3,1 kg	2,4m Black Cord	240V	20W	1345	2700	+93	50 000	CE (230V)
150 cm	LED	3,3 kg	4,4 kg	2,4m Black Cord	240V	30W	2050	2700	+93	50 000	CE (230V)
200 cm	LED	4,2 kg	5,7 kg	2,4m Black Cord	240V	40W	2760	2700	+93	50 000	CE (230V)

*Approximate values
 *Special sizes on request
 ** Carrara Marble surface available for sizes 100cm and 150cm



DIMMER COMPATIBILITY

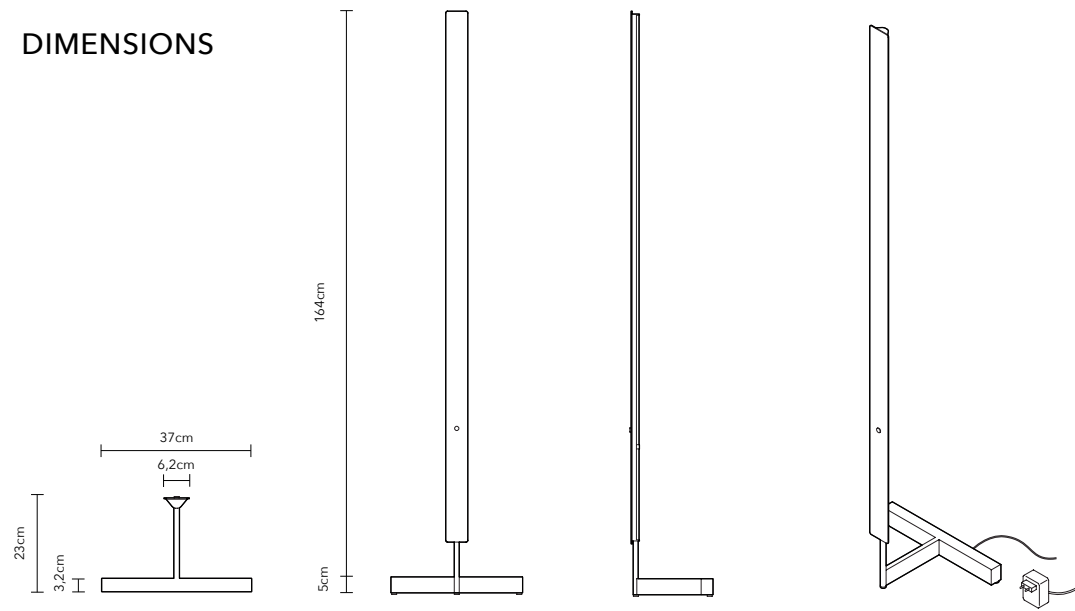
Touch dimmer on the lamp as standard. TRIAC / DALI / Casambi / 1-10V / PUSH DIM available on request (without the button on the lamp)

LEAD TIME

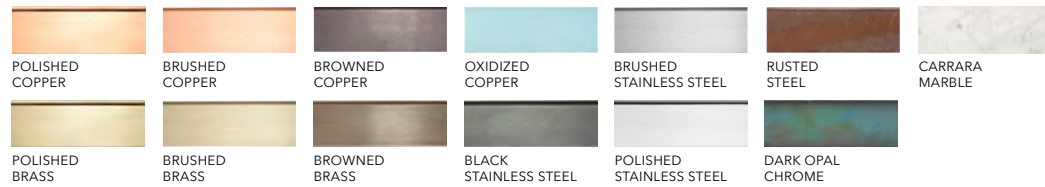
8-10 weeks

F-MODEL

DIMENSIONS



MATERIALS & FINISHES



SPECIFICATIONS

SIZE	LED	WEIGHT*	PACKAGE WEIGHT*	CORD	VOLT	WATT	LUMENS	COLOUR T°	CRI	LIFE HOURS	CERTIFICATIONS
164x37cm	LED	10 kg	12 kg	Black Cord	120V 240V	30W	2050	2700	+93	50 000	CE (230V)

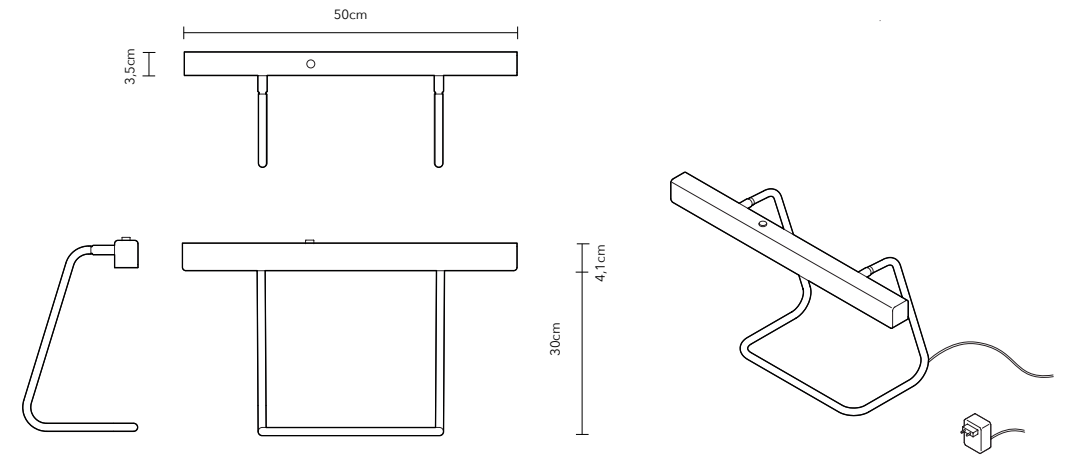
*Approximate values

DIMMER COMPATIBILITY
Touch dimmer on the lamp

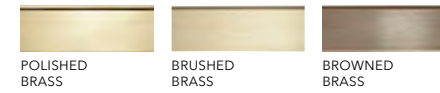
LEAD TIME
8-10 weeks

T-MODEL

DIMENSIONS



MATERIALS & FINISHES



SPECIFICATIONS

SIZE	LED	WEIGHT*	PACKAGE WEIGHT*	CORD	VOLT	WATT	LUMENS	COLOUR T°	CRI	LIFE HOURS	CERTIFICATIONS
50x20x30 cm	LED	3 kg	4,5 kg	Black Cord	120V 240V	10W	1185	2700	+93	50 000	CE (230V)

*Approximate values

DIMMER COMPATIBILITY
Touch dimmer (standard)

LEAD TIME
8-10 weeks



Care & Maintenance

CARE & MAINTENANCE

To maintain the finished quality of your ANOUR products, please follow bellow described cleaning procedures. The instructions for the care and maintenance are provided to you as a service. No warranty is implied since results may vary.

Before cleaning, the light must be turned off and unplugged from mains supply. While cleaning, please be extremely careful.

POLISHED SURFACES

The product should only be treated with a polishing cream made for the specific material. We recommend ©BRASSO.

BRUSHED SURFACES

For regular cleaning, the product should only be cleaned with a dry soft cloth. To remove small scratches and scuff marks, you can firmly rub the surface (in the same direction of the brushed finish) with the Green 3M Scotch-Brite abrasive pad. You can also apply a polishing cream ©BRASSO with a dry soft cloth.

BROWNED SURFACES & BLUED STEEL

The product should only be cleaned with a dry soft cloth. Only if required, a thin coat of acid free natural oil can be applied on the surface and wiped afterwards with a clean soft cloth.

RUSTED & OXIDIZED SURFACES

For regular cleaning, the product should only be cleaned with a feather duster.

MARBLE

Dust frequently with a clean, soft cloth. Wash periodically with a cloth dampened with warm water, and if necessary, a small amount of mild dishwashing liquid. Use a second damp cloth to remove the soap.

STAINLESS STEEL

The product can be cleaned with stainless steel cleaner and a cloth. Dry the lamp with a microfibre cloth after cleaning

Please be careful with liquids around the touch dimmer and cable insulation areas. For more information, consult the FAQ on anour.dk or contact us at contact@anour.dk



POLISHED
STAINLESS STEEL



BRUSHED
STAINLESS STEEL



BLACK
STAINLESS STEEL



GOLD
STAINLESS STEEL



RUSTED STEEL



OXIDIZED COPPER



POLISHED BRASS



BRUSHED BRASS



BROWNE
D BRASS



POLISHED COPPER



BRUSHED COPPER



BROWNE
D COPPER



PATINATION



PATINATION



PATINATION



PATINATION



CARRARA MARBLE



DARK OPAL CHROME

Our
Craftsmen
Cut
Shape
Smooth
Oil
Sand
Brush
& Caress
Each Surface

